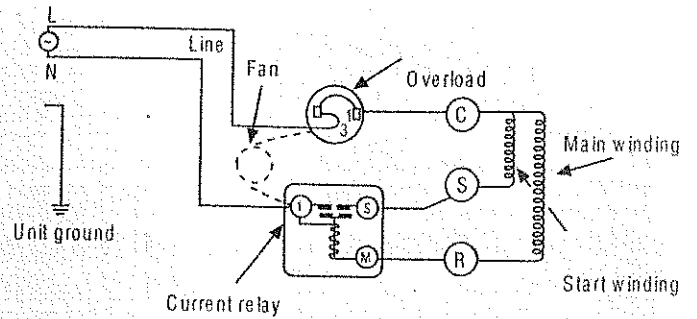


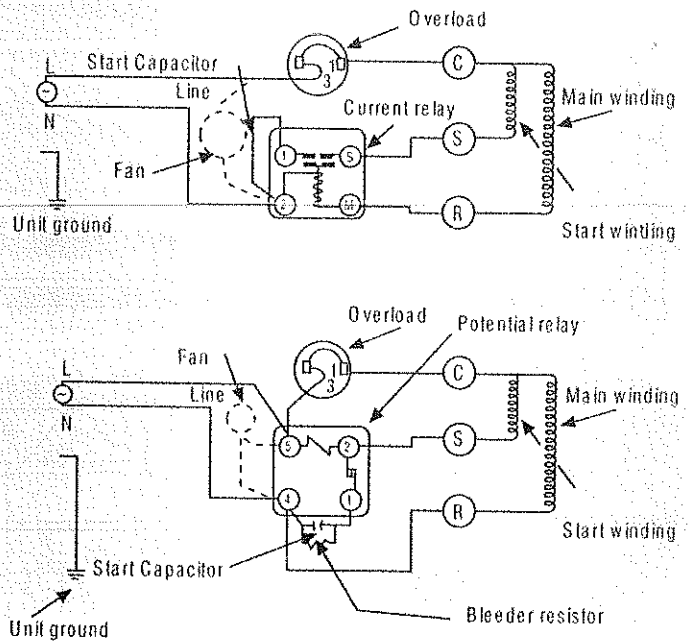
Compressor with RSIR Motor

The motors have a normal starting torque and are designed for completely self-equalizing capillary tube systems.



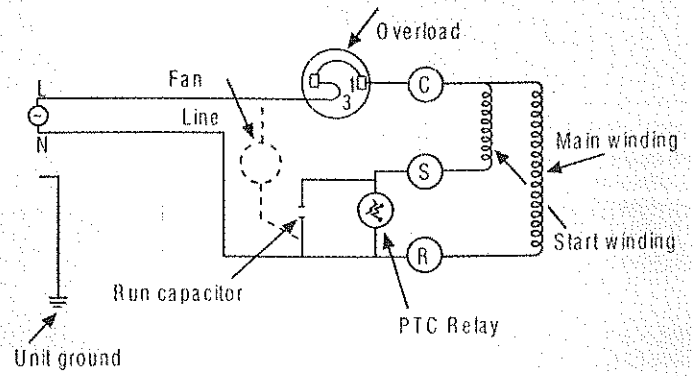
Compressor with CSIR Motor

The motors have a high starting torque, using an electrolytic starting capacitor.



Compressor with PTSCR Motor

The motors have a PTC starting device and a run capacitor. Their functioning is similar to the PSC motor. These compressors have a normal starting torque.



Compressor with PTCSIR Motor

The motors functioning is similar to the RSIR motor, except for the current relay, that is replaced by the PTC device.

